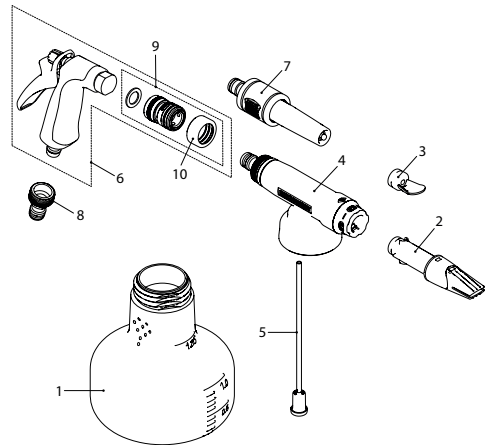




Vario-Matic 1.25 PE



Closing cap



Vario-Matic 1.25 PE, foam gun (acids and alkalis)

11975001

020211

Accessories

Printed tank 1.25 l (blue)	11968502	720944
Tank 2 l	12161301	053073
Closing cap	11980101	710624

No Spare parts

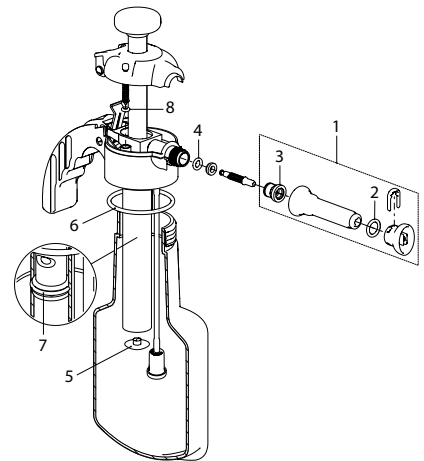
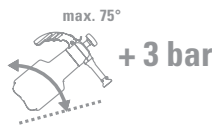
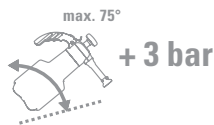
1	Printed tank 1.25 l (red)	11968501	710693
2	Fan-shaped foam nozzle	11981401	710631
3	Deflector	11967501	710709
4	Dispensing head	11981501	710648
5	Suction hose	11981601	710655
6	Hand valve	11981701	710662
7	Spray nozzle	11980201	710679
8	Additional quick connector (Gardena compatible)	11973901	710686
9	Quick coupling G3/4"	12033501	031804
10	Rubber protection ring	12046901	150451



Foam-Matic 1.25 P / 75°



Foam-Matic 1.25 E / 75°



Foam nozzle 45 cm bendable, fix

See also to **Clean-Matic 1.25 P/E, 360°** with optional foam nozzle, page 47

Foam-Matic 1.25 P, compression foamer 75° (acids)	11976501	130989
Foam-Matic 1.25 E, compression foamer 75° (alkalis)	11976601	130996

Accessories

Foam nozzle 45 cm bendable, fix	12060401	150444
Gasket set Foam-Matic 1.25 P, No 2,3,4,5,6,7,8	11614802-SB	700427
Gasket set Foam-Matic 1.25 E, No 2,3,4,5,6,7,8	11614804	110349

No Spare parts

1	Foam tube Foam-Matic 1.25 P	11926201	113708
1	Foam tube Foam-Matic 1.25 E	11927101	113715